

**MULTI-SLIDE  
POCKETING DOOR**

---

**SERIES 905**

---

**INSTALLATION INSTRUCTIONS**



**awake**  
WINDOW & DOOR CO.

## **905 SERIES NAME**

---

Foster care often feeds the prison pipeline.

Our Multi-Slide Door products are named the 905 Series to draw attention to the fact that 90% of foster kids that have 5 or more home placements in their lifetime will end up in the justice system. Our prison system is often full of young people that had extremely difficult upbringings, and prison is rarely the method or place to rectify this. Awake partners with organizations and actively looks to employ at-risk young men and women aging out of the foster care system to help them build a career and avoid the prison cycle. By simply using a 905 series multi-slide you are a part of the solution.

## **POCKETING STACKING SYSTEM**

---

Series 905 Pocketing Multi-slide doors are custom manufactured per ordered specifications. It is important that you carefully review and understand the installation instructions and shop drawings contained within these instructions. Disregard or failure to follow these written instructions may result in poor performance of the stacking system including, but not limited to, improper operation, and security issues and may void Awake Window & Door Company's limited warranties. Window products manufactured by Awake Window & Door Company should only be installed by experienced and qualified installation professionals.

## **STORAGE AND HANDLING**

---

Upon delivery of your Awake Window and Door Company products, confirm that there is no damage that will affect the appearance or performance of the installed product. The components required and supplied within the hardware box kits will vary depending on the configuration you are installing. Inspect the product and hardware components to become familiar with them.

Damaged and/or missing parts should be reported to your supplier immediately. If screens are included, they will be packaged separately and are to be installed after the product is finished to avoid damaging the screens.

This product must be protected before, during and after installation to prevent damage to the frame finish, hardware and or glass.

Awake Window and Door manufactured products are to be kept in the manufacturers packaging and stored in a dry location protected from the elements until ready for installation. If packaging becomes wet, remove, and immediately replace with dry packaging or covering if possible.

When handling door panels, they should be transported and stored upside down to avoid damage to the bottom rail weather seals. The product shall not be dragged off any delivery truck or dropped on the floor during storage.

## PREPARATION

---

Always dispose or recycle any removed door materials properly. For more information, check with your local recycling agency, the U.S. Environmental Protection Agency ("EPA"), or Build Reuse to locate a nearby company or organization that accepts used windows and doors.

**CAUTION: Many homes built before 1978 may have been painted with lead-based paint. Removal of old doors may disturb this paint. Proper precautions must be taken to minimize exposure to dust and debris. Consult state or local authorities and/or the EPA for more information.**

Verify that the number of doors ordered have been received and are manufactured to the specified size and configuration. Inspect and verify the rough opening for the product which you are installing is plumb, level, and approximately 1/2" bigger in width and height than the net frame size.

Measure and inspect flooring for flat and level. If the floor varies more than 1/16" (.062") per 120-inch span or a total of 3/16" (.188") over the span of the opening width, it must be corrected prior to installation of the door. The sill should be supported of shimmed every 6" minimum. Failure to adequately install sill may result in operational issues and could result in re-installation of the sill.

### **You May Need to Supply:**

---

- Moisture resistant shims/spacers.
- Flashing membrane and compatible sealant.
- Fasteners:
  - 3/16" Tapcon concrete anchor screws. (Sill concrete anchoring)
  - #10 x 2" Ph Flat Head screws (Block Frame install application)
- Closed cell foam backer rod/sealant backer

## Tools Required for Installation:

---

- Tape Measure
- Levels of various sizes
- Laser level (if needed)
- Plumb bob
- Utility Knife
- Drill with:
  - 3/16", #21 drill bit
  - #10 Countersink bit.
- Pry bar
- Sealant Gun
- Screw gun with:
  - #2 Phillips Driver bit
  - #2 Square Drive
- 5 in 1 Putty knife
- Dead-blow rubber mallet
- Suction Glass Cups
- Quick Clamps

**Note: Other construction materials may be required. Read the following instructions carefully and inspect the wall conditions before you begin.**

## Frame Components

---

Unless noted or otherwise requested, frame components shall include the following:

### Single pocket doors:

- (1) head assembly
- (1) sill assembly
- (1) lock jamb assembly
- (1) interior and one (1) exterior two (2) piece post interlock frame members

### Double pocket doors:

- (1) head assembly
- (1) sill assembly
- no lock jambs
- (2) interior and (2) exterior (2) piece post interlock frame members

If the total frame width exceeds 238" (19'-10") the head and sill assemblies will be supplied in two (2) sections to be sealed and joined during installation.

## Panel Components

---

Unless noted or otherwise requested, panel components will contain one or more of the following:

### Single pocket doors:

- (1) active lead panel
- (1+) intermediate to several intermediate panels
- (1) pocket panel
- (1+) to several screen panels

### Double pocket doors:

- (1) active lead panel
- (1) in-active lead panel
- (1+) intermediate to several intermediate panels (right-handed and left-handed panels)
- (2+) pocket panels (one right-handed and one left-handed)

Double pocket doors will also have an inactive lead panel and an additional pocket panel. The active lead panel has the locking hardware and integrated pull handles on the lead stile. The inactive lead panel of double pocket doors has pull handles integrated on the lead stile. Intermediate panels, if required, will have two interlock stiles.

Pocket panels are the same as intermediate panels, except the interlock stile will be pre-drilled for the pocket close out panels.

## WEATHERPROOFING

---

Rough openings must be protected with waterproofing in accordance with AAMA 2400 Installation Methods, the flashing and sealant manufacturers' instructions, and local building codes. If the product is to be set onto a cement slab, or adjacent with any masonry, a barrier must be employed to ensure there is no direct contact between the product and any cement-based products.

## FRAME INSTALLATION

---

1. Refer to the shop drawings supplied and inspect the rough opening carefully to ensure it has been prepared correctly to accept the width, height, and depth of the door you are installing.
2. One of the two walls forming the pocket/s, typically the interior side, must be left out until the frame installation is complete.

3. If the door frame is to be set on a wood substrate, the wood must be protected with an appropriate flashing or waterproofing membrane prior to door frame installation.
4. Check the floor to ensure that it is flat and level. If the floor varies more than .0625" (1/16") per foot or a total of .25" (1/4") over the entire width of the opening, it must be corrected before proceeding with installation.
5. Determine the bottom side of the sill by locating the continuous weep channel for drainage of the system. Rotate the sill with weep slots facing down and set the sill on the floor in the approximate location. Ensure that the edge of the frame is aligned with the structure.
6. Locate the drilled holes on the outside face of the threshold and position the exterior post interlock frame member/s vertically so the holes in the threshold align with the holes in the post interlock/s. Observe the space between the exterior pocket walls and the nail fin/s of the post interlock/s. For single pocket doors adjust the threshold assembly so the space between the pocket wall and the post interlock nail fin, perpendicular to the plane of the door, is equal to the space between the end of the threshold assembly and the adjacent wall where the lock jamb will be mounted. For double pocket doors adjust the threshold assembly so the space between the pocket walls and the post interlock nail fins is equal. Figure 1 shows the exploded view of the post interlocker assembly, consisting of the two-piece post interlocker, assembly screw, and spacer block. The groove in the spacer block should be facing away from the sill/head.

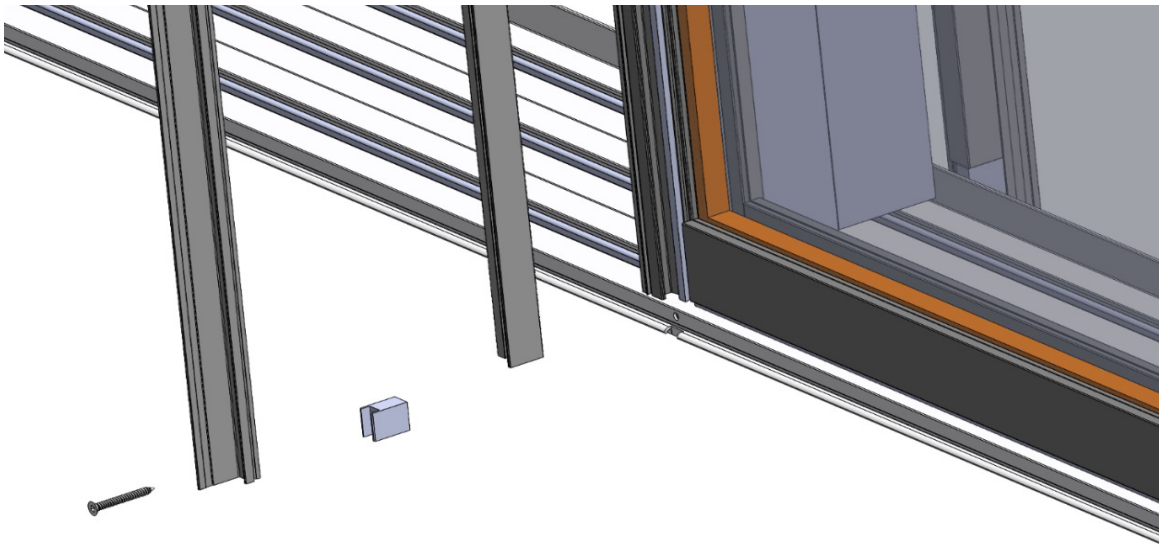


Figure 1

7. Inspect the sill where it encounters the surface of the floor, mark any gaps that will need to be shimmed or humps removed prior to final installation. The final installation requires that the sill be level and supported across the full span for proper operation.
8. Once the sill is in the correct location, inspect the header above to confirm that the frame head can be installed directly above the sill at the proper height as required. If no correction is to be made to the frame, mark the inside edge of the frame sill full-length to ensure correct location and positioning when anchoring.
9. Begin to mark the flooring through each hole that was previously drilled to anchor the frame to the rough opening. Start from the exterior left side and mark every hole to the right until complete, remove the sill and prepare the opening.

**Note: If you choose to drill the anchor holes into the concrete while the sill assembly is still in place, you must vacuum the debris from the top of the sill as well as from below to ensure that the caulking and or roller assemblies do not get contaminated. If the door is being set on concrete, use the appropriate drill for minimum 3/16" Tapcon anchor screws.**

10. If the door is being set on concrete, use the appropriate drill for minimum 3/16" Tapcon anchor screws.
11. If the floor is wood with a waterproofing membrane or flashing applied, apply a generous amount of appropriate and compatible sealant at each mark where an installation anchor screw will penetrate the waterproofing.
12. With the sill assembly removed, and clean from debris, apply a 1/2" bead of sealant to the floor from jamb to jamb along the exterior edge of the mark previously applied to the floor. The sealant should be applied in a U-shape to ensure a proper and complete water-barrier has been accomplished across the full width of the sill opening. Sealant should also be applied a minimum of 6" up each side of the opening to which the jambs, end plates, or post inter-lockers will need to be sealed. See Figure 2. Apply additional sealant across the threshold perpendicular to the existing bed of sealant from arrow to arrow. Inspect the sealant carefully to ensure that a complete water barrier has been accomplished across the pocket opening/s, at the lock jamb and along the outside edge of the mark indicating the inside edge of the threshold. Locate and apply the factory-applied sealant on the bottom side of the threshold between the points where the post interlock frame members will attach and at the lock jamb end. It is very important that this factory-applied sealant contacts the sealant added to the floor.

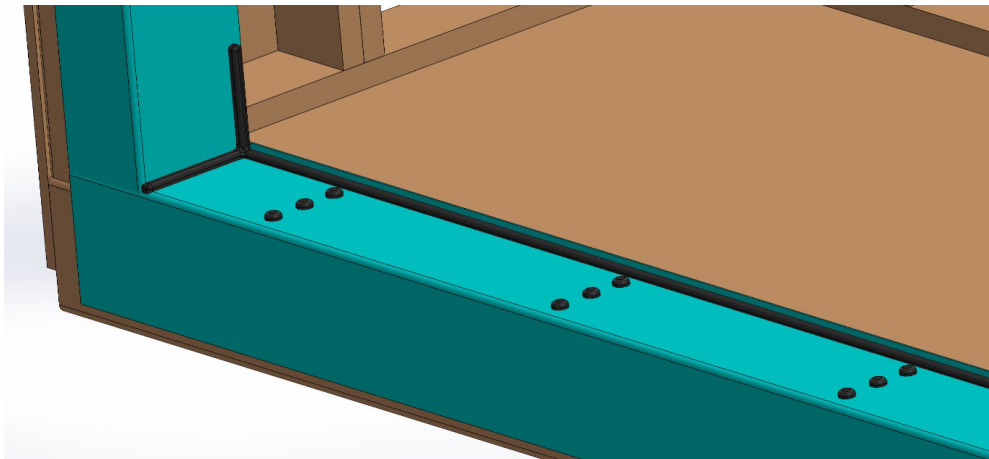
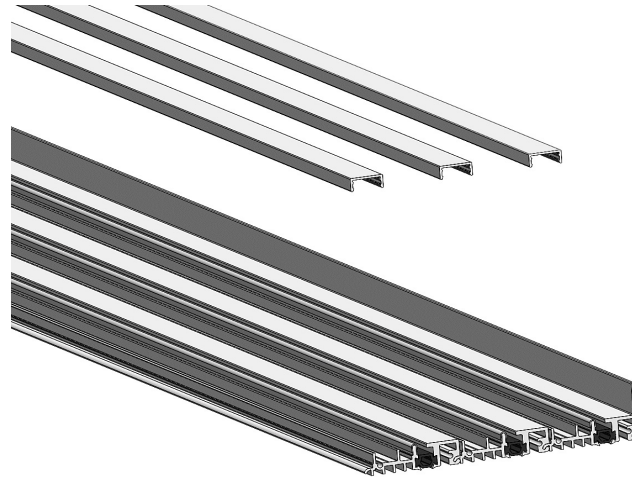


Figure 2

13. Set the sill assembly onto the bed of sealant and align sill with marks on the floor. Shim the sill assembly as required and secure the frame with adequate anchor screws for your application. Once the sill is anchored to the floor, verify that it is 100% flat and level in all directions. After verification, locate and apply all snap-in beauty covers to conceal anchor screws and create a flat surface for the panels to seal against. See **Figure 3**.



*Figure 3*

14. Inspect the opening header to confirm that it is ready to receive the door head assembly and that there is sufficient backing for anchoring. Based on the net frame height shown on the shop drawings, determine if additional material needs to be added to the header to minimize shimming. If the head assembly is supplied in two sections you will need backing at the midpoint to support the splice.
15. Using a plumb bob, mark several points onto the header frame to locate the head assembly directly above the threshold assembly. With assistance, carefully raise the head assembly into position and temporarily anchor using #10 X 2.5" flat head screws, as needed to hold the head assembly safely in place. For doors where the head assembly is supplied in two sections, locate and install the left half first. The left half will have an alignment tongue on the right end of the section. Make sure you bring the two completely together in the center.
16. Install the post interlock frame member/s using the pre-drilled holes in the head and threshold. Raise or lower the head until the holes align properly. Anchor the post interlock members using #10 x 1.25" screws. Figures 1 & 4 show the exploded view of the post interlocker assembly, consisting of the two-piece post interlocker, assembly screw, and spacer block. The groove in the spacer block should be facing away from the sill/head.



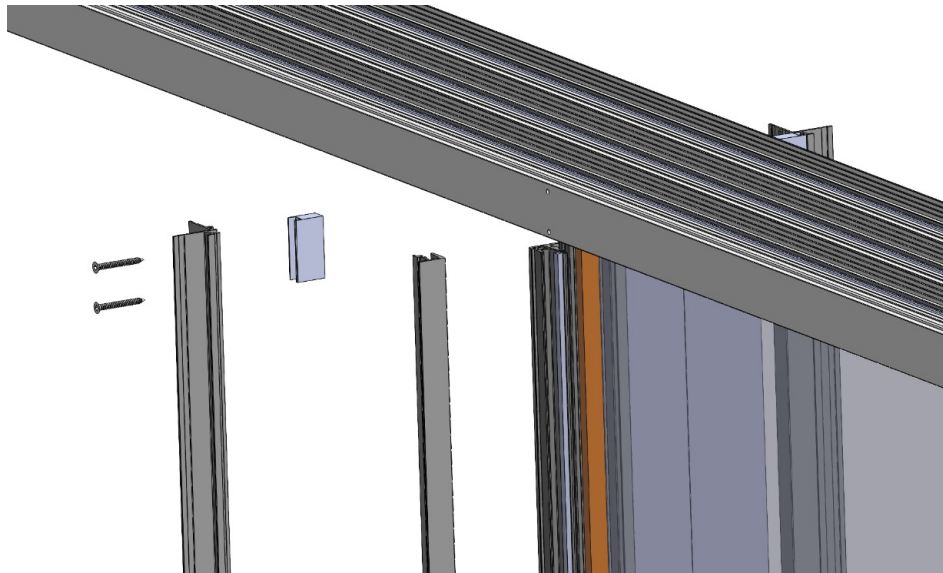


Figure 4

17. On single pocket doors, seal the pre-drilled hole/s in the threshold end plate at the lock jamb side using Dow Corning 795 silicone, or equal. Pre-drill the jamb to the end plate assembly holes at each end and as required with a #21 drill bit. Remove the jamb assembly and seal the jamb to the end plate interface at the sill location with Dow 795 sealant. See **Figures 5 & 6.**

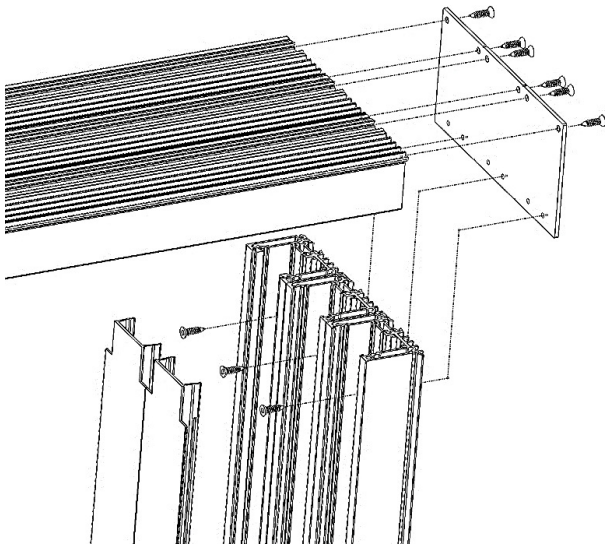


Figure 5

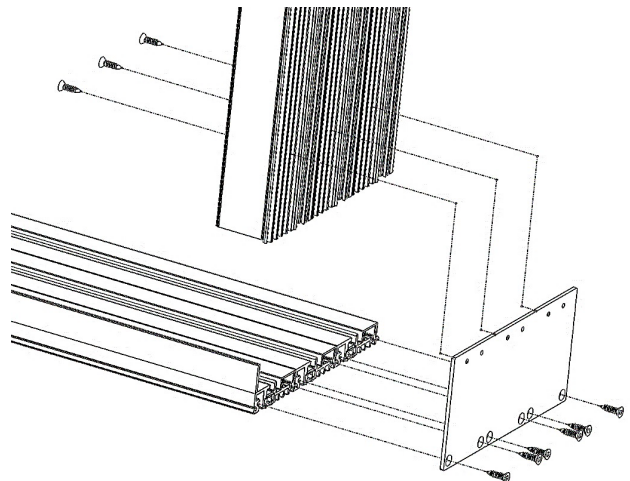


Figure 6

- Shim the lock jamb/s as required to ensure they will be plumb and anchor to the structure through the additional holes using #10 X 2.5" flat head screws. See **Figure 7**.

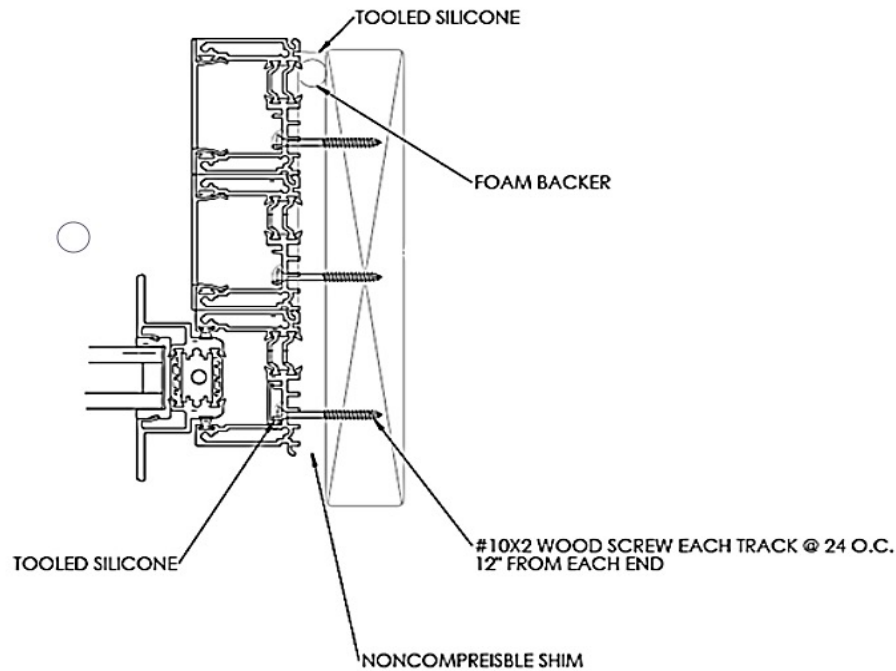


Figure 7

- Complete the installation of the post interlock frame members by shimming between the nail fins and the structure as required to ensure they are plumb. Check the dimension between the inside and outside members from top to bottom to ensure that they are parallel. Anchor the members using #10 X 2.5" flathead screws. It is critical that the post interlock frame members are plumb and square to the head and threshold, and parallel to each other, to ensure smooth and quiet operation as the pocket panel interlock engages the post interlock. Un-snap the "hook" portion of the post interlocker on the side that will engage the pocket panel, so that the pocket panel will have room to enter the pocket. The "hook" on the other post interlocker can stay in place. See **Figure 8**.

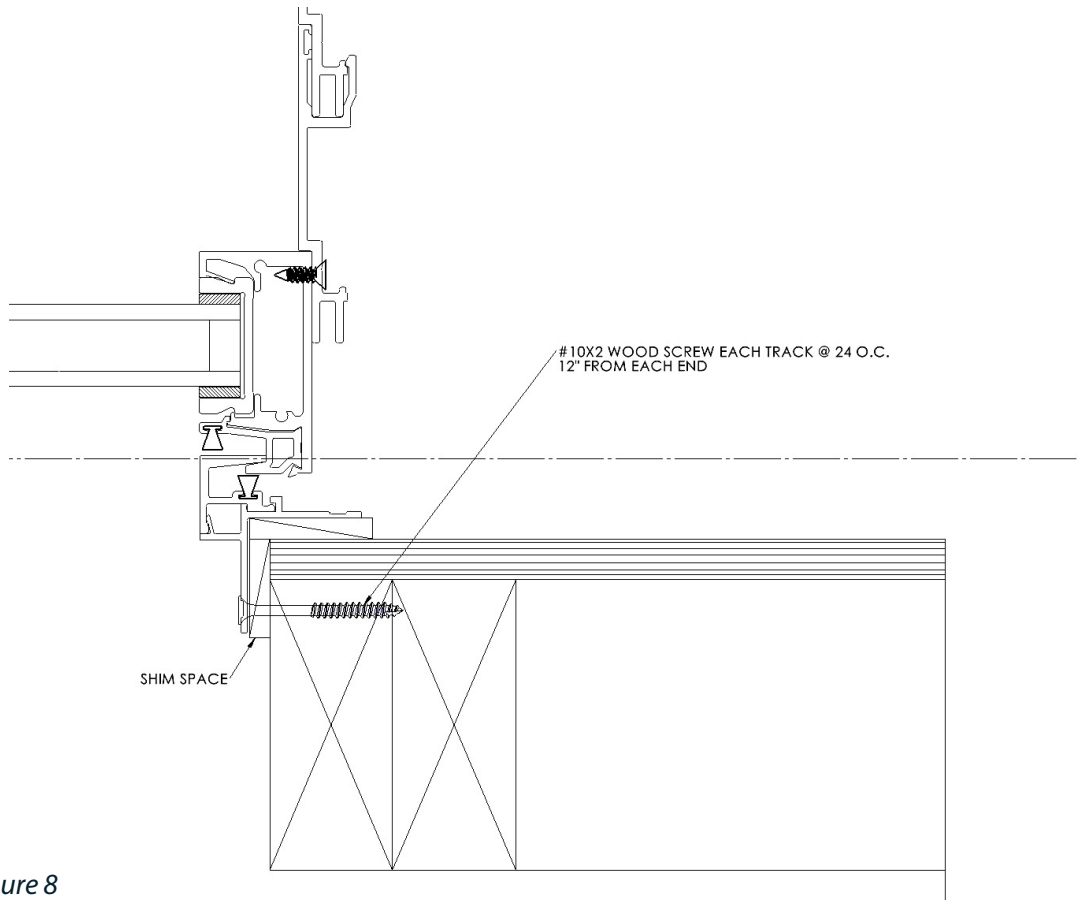


Figure 8

20. Complete the anchoring of the head assembly to ensure that it is flat, level and parallel with the threshold. Before panel installation, seal the vertical joint between the post interlock frame members and the face of the threshold, the horizontal joint between the post interlock and the top surface of the threshold, and the vertical joint between the post interlock and sill side plates, with Dow Corning 795 silicone, or equal. See **Figure 9**.

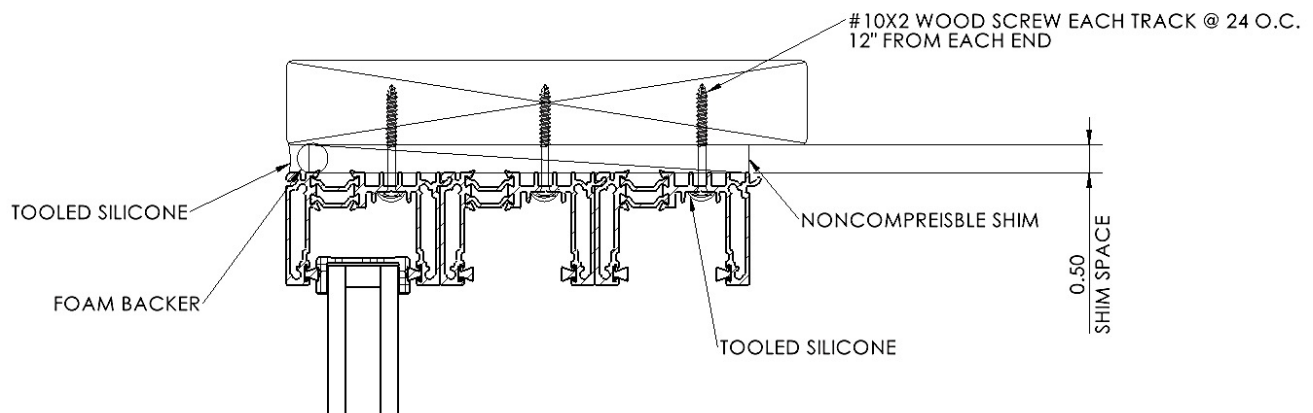


Figure 9

# PANEL INSTALLATION

---

1. Identify the active lead panel and insert it into the installed frame.
  - XP configuration, place lead panel at the left of the door system.
  - PX configuration, place lead panel at the right of the door system.

**Note: If you are installing a bi-parting door, you will have one (1) active lead panel and one inactive lead panel. The inactive lead panels are to be installed on the innermost track. The active panel lead will be installed to the left of center, as viewed from the exterior of the building (or however it is identified on the shop drawings). Fixed panels have one (1) interlock, no rollers and rest on the outermost track. Intermediate panels will have two (2) interlock stiles.**

2. From the exterior of the building and the locking handle to the interior of the building, lean the top of the panel into the innermost head track and lower the panel straight down onto the sill assembly.
3. Locate the install kit boxes containing the roller carriage assemblies, roller shim stacks and end sweeps needed for the panel installed and remaining panels.

**Note: Depending on the size of the door system the kits will include all necessary roller assemblies and respective hardware needed for your panels.**

4. The number of roller assemblies divided by the number of operable panels will determine how many rollers each panel will take. Example: A 4' wide panel may take four (4) roller assemblies; two (2) per side. A 5' wide panel may take six (6) roller assemblies; three (3) per side and so on.

**Note: the actual number of roller assemblies supplied varies with each door system depending on specifications and configuration selected.**

5. Determine the number of roller assemblies needed per panel and connect by sliding one (1) roller assembly onto the other. Continue this process for all required rollers. Once complete, slide the end sweep onto the roller assembly and set roller assemblies in front of panel.
6. Taking care not to scratch or shift the lead panel over. With a pry bar, lift the panel high enough to slide the roller assembly system into place. Ensure that all rollers rest onto the track cap and roll freely. See **Figure 10**.

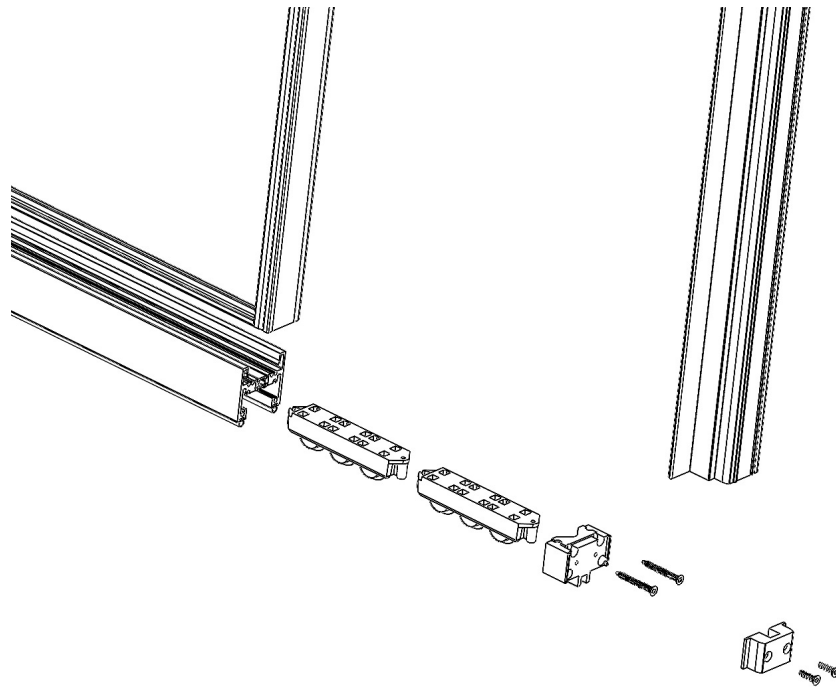


Figure 10

7. If needed and for adjustment, the roller assembly can be shimmed individually or per side with supplied shim stacks. Each shim is .015" thick and up to three (3) roller shims per roller assembly can be used. Once the roller assembly is set into the panel, continue with the opposite side.
8. With the weight of the panel on the rollers, slide the panel to the lock jamb and ensure that the vertical gap is consistent from top to bottom and no additional shimming is needed. For the interlocker side of the panel, fasten the end sweep onto the stile with #8 x 1" PH Flat head screw. For the lock stile side of the panel, fasten the lock stile end sweep using two (2) #10 x 1.5" PH Flat head screws. Then fasten the cover using two (2) #10 x 3/4" PH Flat head screws.
9. Identify the intermediate panel(s) that is to be installed in front of the lead panel. Slide the lead panel to the middle of where the adjacent intermediate panel is to be installed. From the exterior of the building and with sufficient overlap of corresponding interlock, lean the top of the panel into the corresponding head track and lower the panel straight down onto the sill assembly. Install the rollers and end sweeps in the same fashion as the lead panels (refer to step #5).
10. Identify the correct quantity of roller assemblies and connect by sliding one (1) roller assembly onto the other. Repeat this step for all required rollers. Once all rollers are linked together, slide the end sweep onto the roller assembly and set roller assemblies in front of panel.

11. Taking care not to scratch or shift the lead panel over, with a pry bar, lift the panel high enough to slide the roller assembly system into place. Ensure that all rollers rest onto the track cap and roll freely. See **Figure 11**.

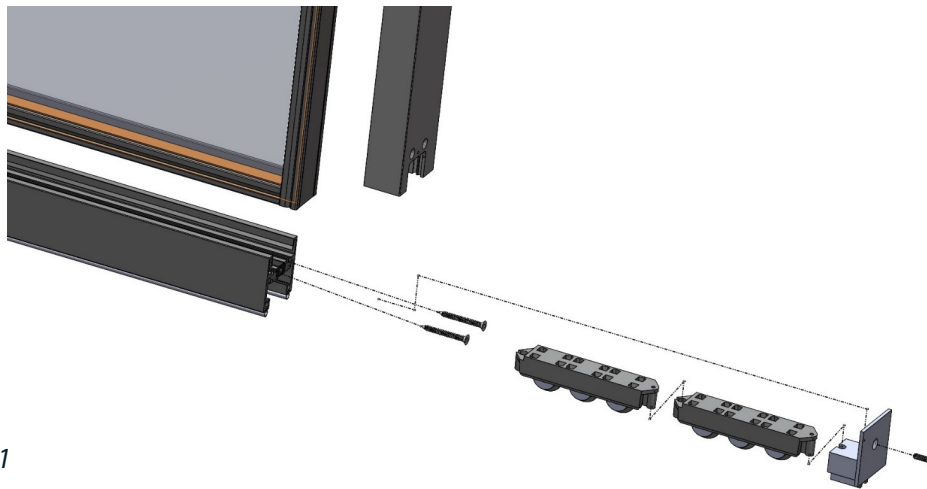


Figure 11

12. With the weight of the panel on the rollers, slide the panel back and forth and ensure that the vertical gap is consistent from top to bottom and no additional shimming is needed. Fasten the end sweep onto the stile with a #8 x 1" PH Flat head screw.
13. Identify the pocket panel. The interlocker stile will have holes predrilled for the pocket close out panel.
14. Attach the packet close out panel(s) to the pocket panel interlocker(s) using #10x1/2" PH Flat head screws. See **Figure 12**.

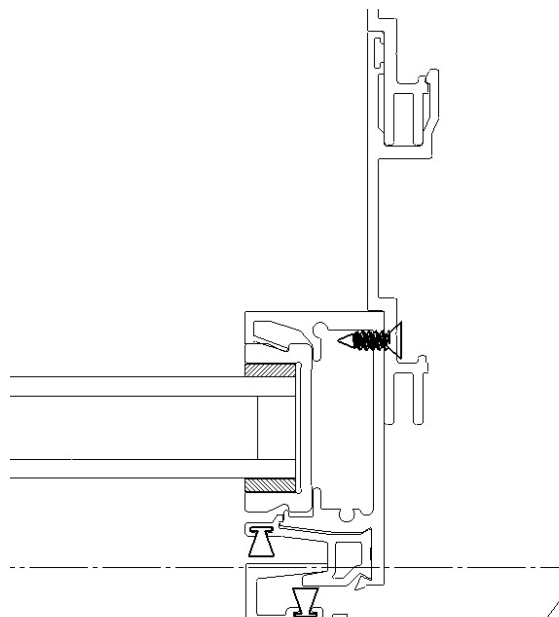
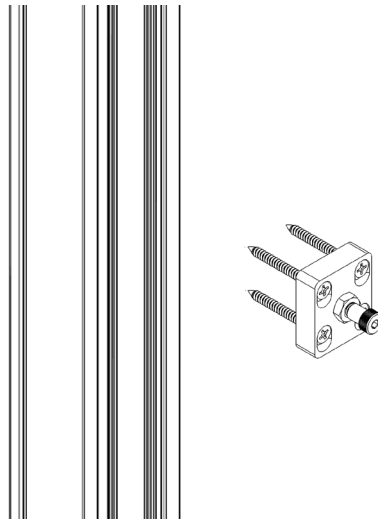


Figure 12

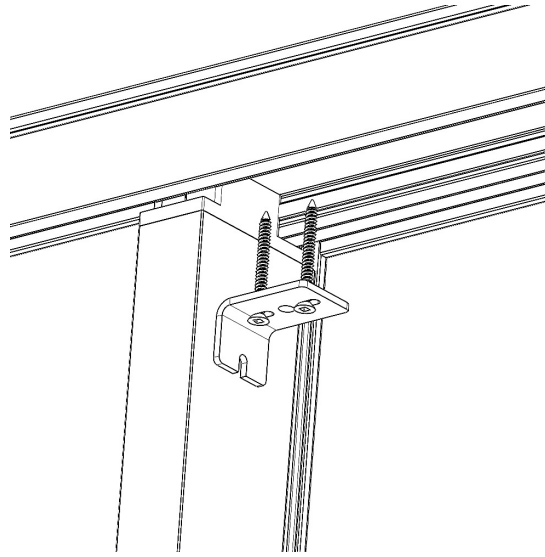
15. Install the pocket panel into the frame following the same steps used to install the intermediate panel and install the roller assemblies and end sweeps following the same steps used to install the intermediate panel. (Steps 8-11)
16. Roll the pocketing panel close to the post interlocker and shim/adjust the panel so that the interlocker that will engage the post interlocker is perfectly parallel with the post interlocker.
17. Slide the pocket panel into the pocket so that the panel interlocker that engages the pocket interlocker is deep into the pocket. Then snap on the "hook" portion of the post interlocker.
18. If the door system has fixed panels, they will be installed last. Position the adjacent intermediate panel to allow the fixed panel interlock to overlap. Ensure that the fixed panel is a few inches away from the jamb with the interlocks overlapping each other. Lean the top of the panel into the corresponding head track and lower the panel straight down onto the sill assembly.
19. With one hand up top of the fixed interlock and the ball of foot on the bottom, gently push the fixed panel into the jamb pocket until the bottom rail contacts the jamb face and make all final adjustments to achieve the optimum alignment throughout the door system.
20. Identify and install the lock strike plate to the lock jamb. Move the lead panel close to the jamb and mark the engagement and disengagement of the lock handle on the jamb. Place the lock strike plate onto the jamb and mark the screw hole locations.
21. Drill four (4) 3/16" clearance holes at the marked locations of the strike plate. Anchor the lock strike to the jamb with #10 x 2-1/2" PH Flat Head screws. Shim as needed to avoid bowing the frame. See **Figure 13**.



*Figure 13*

22. Close and lock the active panel to verify engagement and disengagement. Adjust as needed.
23. The meeting interlock should line up from top to bottom and fully engage. Ensure frame and panels are plumb and square and that the fixed panel is fully seated in the jamb channel. Adjust as needed.
24. With the frame head parallel with the sill assembly, secure the fixed panel. Position the fixed clip into the head, using clip pre-drilled holes as a guide, drill clearance holes for

assembly screws. Anchor the fixed clip to the frame head with a pair of #10 x 2-1/2" PH Flat Head screws. See **Figure 14**.



*Figure 14*

25. With panels in their final positions, locate and install the corresponding head fillers into their respective head tracks.
26. Seal the fixed panel to the frame sill, jamb, and head from the interior. Seal the frame sill to the floor full length and continue sealant a minimum of 6" up each side.
27. The door installation is complete.

### **TESTING**

**No field testing or studies are permitted on Awake's products unless they are performed in strict compliance with the Fenestration and Glazing Industry Alliance (FGIA) Voluntary Specification for Field Testing of Newly Installed Fenestration Products, AAMA 502 and strictly comply with Awake's Testing Requirements and Conditions, available at [www.awakedc.com/install-instructions](http://www.awakedc.com/install-instructions)). Failure to strict comply with the foregoing testing requirements will void Awake's 10-Year Limited Warranty.**





# GET IN TOUCH

**435 E GERMANN RD SUITE 104  
GILBERT, AZ 85297**

[www.awakewdc.com](http://www.awakewdc.com)

(833) 292-5393