

HINGED DOOR

SERIES 505

INSTALLATION INSTRUCTIONS



awake

WINDOW & DOOR CO.

505 SERIES NAME

Recidivism is a major contributor to mass incarceration.

Our Hinged Door products are named the 505 Series to draw attention to the fact that 50% of people who leave prison will end up back there within 5 years. Typically, when people hear this statistic, they assume this is because bad people continue to do bad things. Sadly, the main contributor to recidivism is the difficulty formerly incarcerated individuals have in finding a good job after re-entry. Biases and stigmas of their records often prevent companies from hiring them, making it near impossible to survive in our society. Let's create good jobs and change lives together to prevent this.

HINGED DOOR

Series 505 Hinged Doors are custom manufactured specific to each order specifications. It is important that you carefully review and understand the installation instructions and any drawings supplied for your project prior to installation of any products. Disregard or failure to follow these written instructions may result in deficient performance of your newly installed product including, but not limited to water intrusion, improper operation, and security issues and may void Awake Window & Door Company's limited warranties. Door products manufactured by Awake Window & Door Company should only be installed by experienced and qualified installation professionals.

STORAGE AND HANDLING

Upon delivery of your Awake Window and Door Company products, confirm that there is no damage that will affect the appearance or performance of the installed product. Inspect the product and hardware components to become familiar with them. Damaged and/or missing parts should be reported to your supplier immediately.

The products must be protected before, during and after installation to prevent damage to the frame finish, hardware and or glass. Awake Window and Door Company manufactured products are to be kept in manufacturers packaging and stored in a dry location protected from the elements until ready for installation. If packaging becomes wet, remove, and immediately replace with dry packaging or covering if possible.

When handling door products, they should be transported and stored vertically on a flat even surface. Finished product shall not be dragged off any delivery truck or dropped on floor during

storage. Products should only be lifted/moved with glass cups attached directly to the glass and should not be lifted or dragged by the frame, which can damage the product.

PREPARATION

Always dispose or recycle any removed door materials properly. For more information, check with your local recycling agency, the U.S. Environmental Protection Agency, or Build Reuse to locate a nearby company or organization that accepts used windows and doors.

CAUTION: Many homes built before 1978 may have been painted with lead-based paint. Removal of old windows and doors may disturb this paint. Proper precautions must be taken to minimize exposure to dust and debris. Consult state or local authorities and/or EPA for more information.

Verify that the number of doors ordered have been received and are manufactured to the specified size, configuration, and unit number (which is marked on the opening). Inspect and verify the rough opening for the product which you are installing is plumb, level, and approximately 1/2" bigger in width and height than the net frame size.

You may need to supply:

- Moisture resistant shims/spacers
- Flashing membrane and compatible sealant
- Fasteners
- #8 x 1-1/2" Ph Flat Head screws (Nail-fin install application)
- #10 x 2-1/2" Ph Flat Head screws (Block Frame install application)
- #10 x 3" Ph screws - standard and large leaf (Block frame install application and hinge locations for large units)
- Closed cell foam backer rod/sealant backer

Tools required for Installation:

- Tape Measure
- Pry bar
- Levels of assorted sizes
- 5 in 1 Putty knife
- Laser level (if needed)
- Dead-blow rubber mallet
- Utility Knife
- Quick Clamps
- Sealant Gun
- Suction Glass Cups
- Screw gun with
 - #2 Phillips Driver bit
 - #2 Square Drive
- Drill with
 - 3/16", #7, 1/4" drill bit
 - #10 Countersink bit

Note: Other construction materials may be required. Read the following instructions carefully and inspect the wall conditions before you begin.



WEATHERPROOFING

Rough openings must be protected with waterproofing in accordance with AAMA 2400 Installation Methods, the flashing and sealant manufacturers' instructions, and local building codes. If the product is to be set onto a cement slab, or adjacent with any masonry, a barrier must be employed to ensure there is no direct contact between the product and any cement-based products.



NAIL FIN INSTALLATION

1. Apply a 1/2" continuous bead of sealant to the floor along the interior edge of where the sill threshold will rest and 3" vertically up each jamb, wrapping to exterior of the jamb (where the nail fin will contact), forming a continuous bead of sealant around the full perimeter of the opening. (See Figure 1).

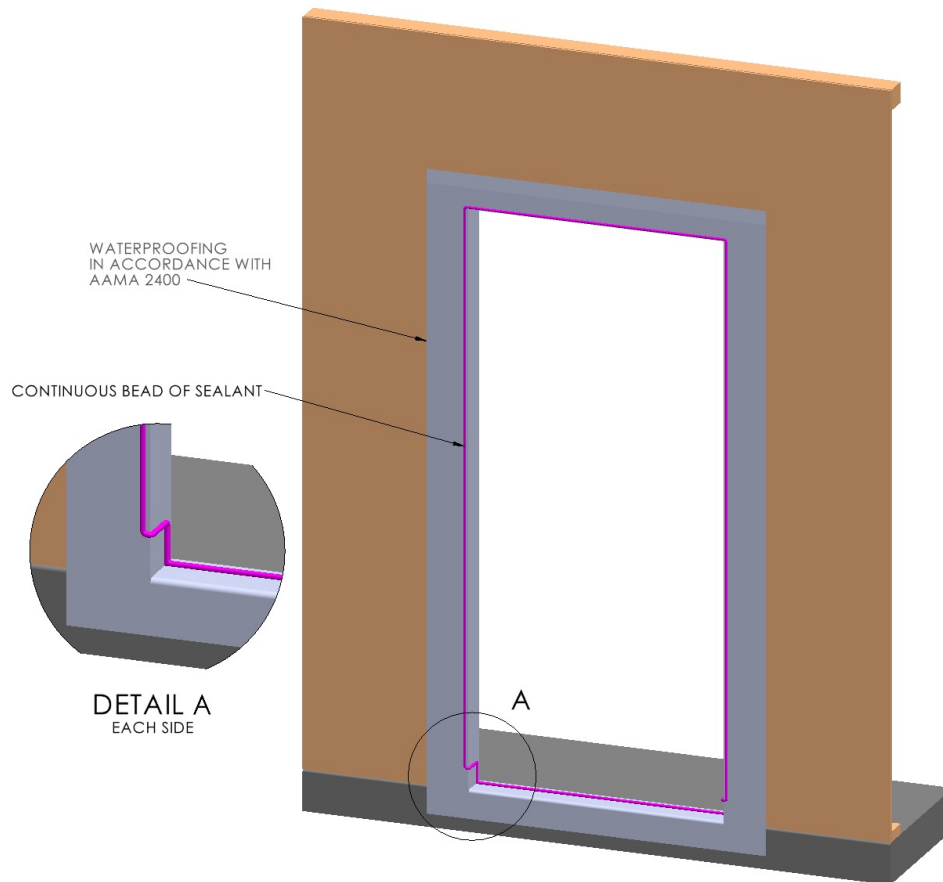


Figure 1

2. Apply a 3/8" continuous bead of sealant to the interior face of the nail-fin full perimeter. (See Figure 2).

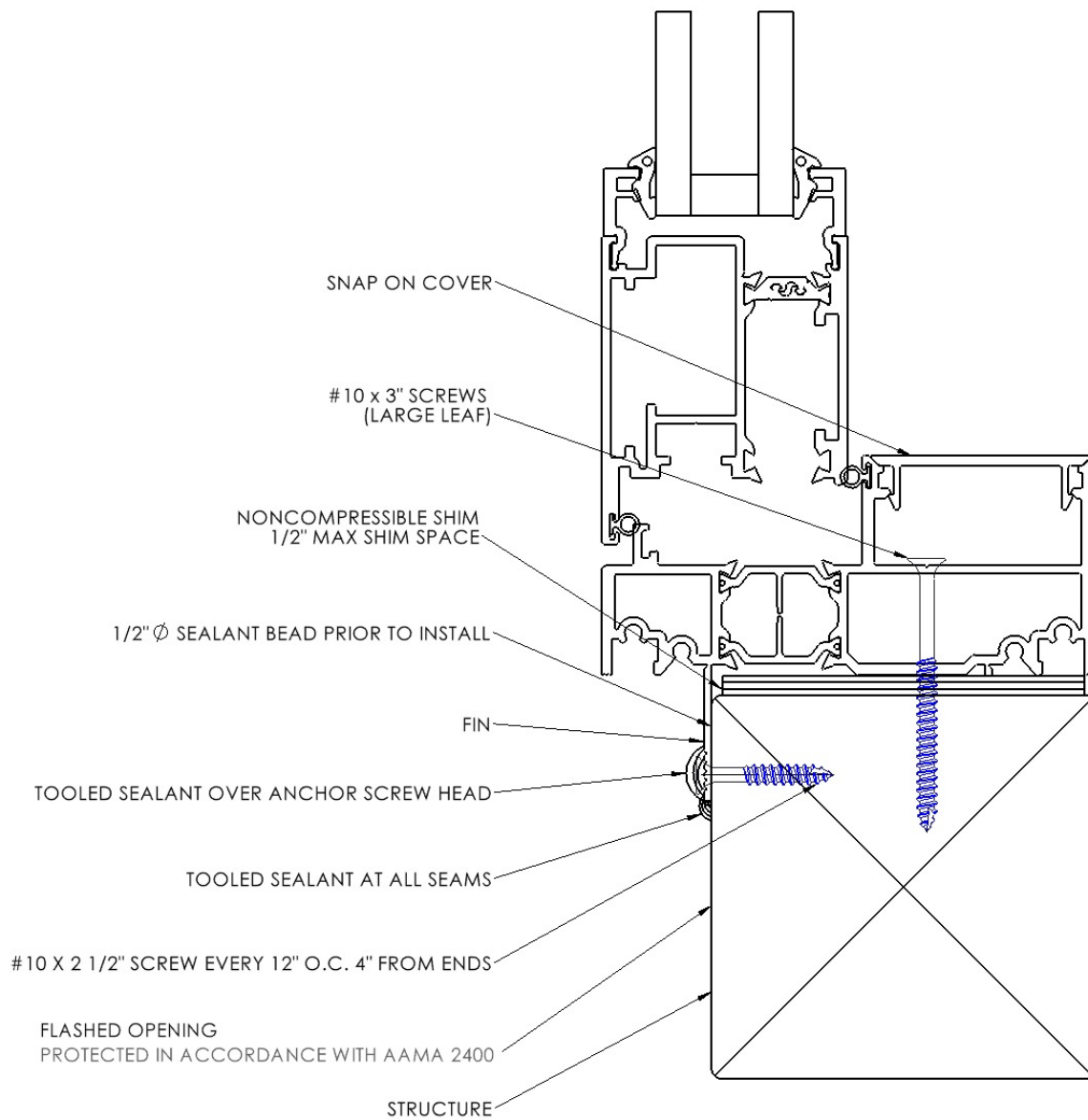


Figure 2

3. Set door frame into the flashed opening ensuring that the nail-fin makes full contact with the opening and the threshold is level with full bearing on the flooring.
4. Check that the frame is plum, level and square in the opening and shim as needed with noncompressible shims.
5. Anchor the door frame nail-fin to the structure with #10 x 2-1/2" Ph Flat Head screws every 12" on center. To avoid any damage or distortion, do not anchor the nail-fin within 3" from any corner. When a door with a leaf(s) is wider than 48", additional #10 x 3" large leaf anchor screws shall be

added below the snap cover. (See Figure 2). For continuous hinged doors, the large leaf anchors shall be added every 24" on center, with a cluster of (2) two additional anchors spaced 4" and 8" from each end of the jamb. For doors that have individual hinges, a cluster of (3) three anchors shall be placed at each hinge, spaced 3" apart.

6. Inspect the frame to ensure it is plumb, level and square. Ensure the door leaf is not racked or crooked, operates smoothly and locks with little effort. Individual locking points are adjustable by turning the adjustment screw. (See Figure 3).

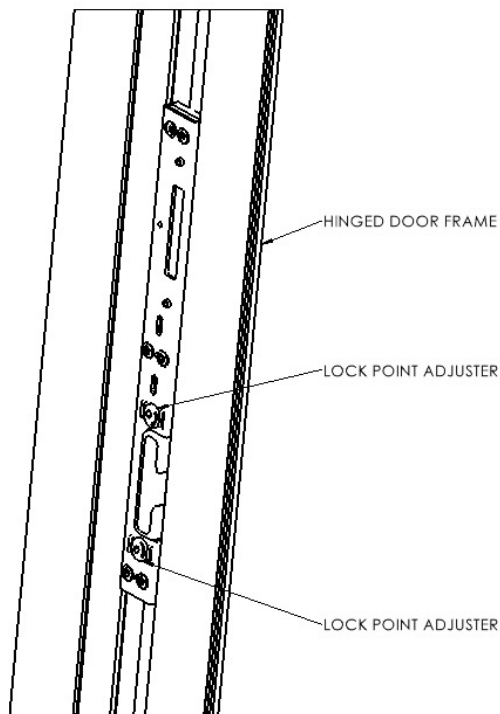


Figure 3

Note: Glass is dry glazed and hard blocked to square door leaf. Adjust hard blocking as necessary to provide for optimum latch/lock function.

7. Ensure that all nail-fin joints and the head of every screw that penetrated the nail-fin are sealed.
8. Installation is complete.



BLOCK FRAME INSTALLATION

1. With a thin pry bar or thin putty knife, locate the edge of the interior cover to the frame joint and pry the cover off the frame. (See Figure 4).
2. Through each jamb and head of the frame, drill a 3/16" diameter installation hole 6" from each end and every 16" on center thereafter below the snap on cover. (See Figure 4).

Note: take caution with removing the interior covers as damage can occur if care is not taken.

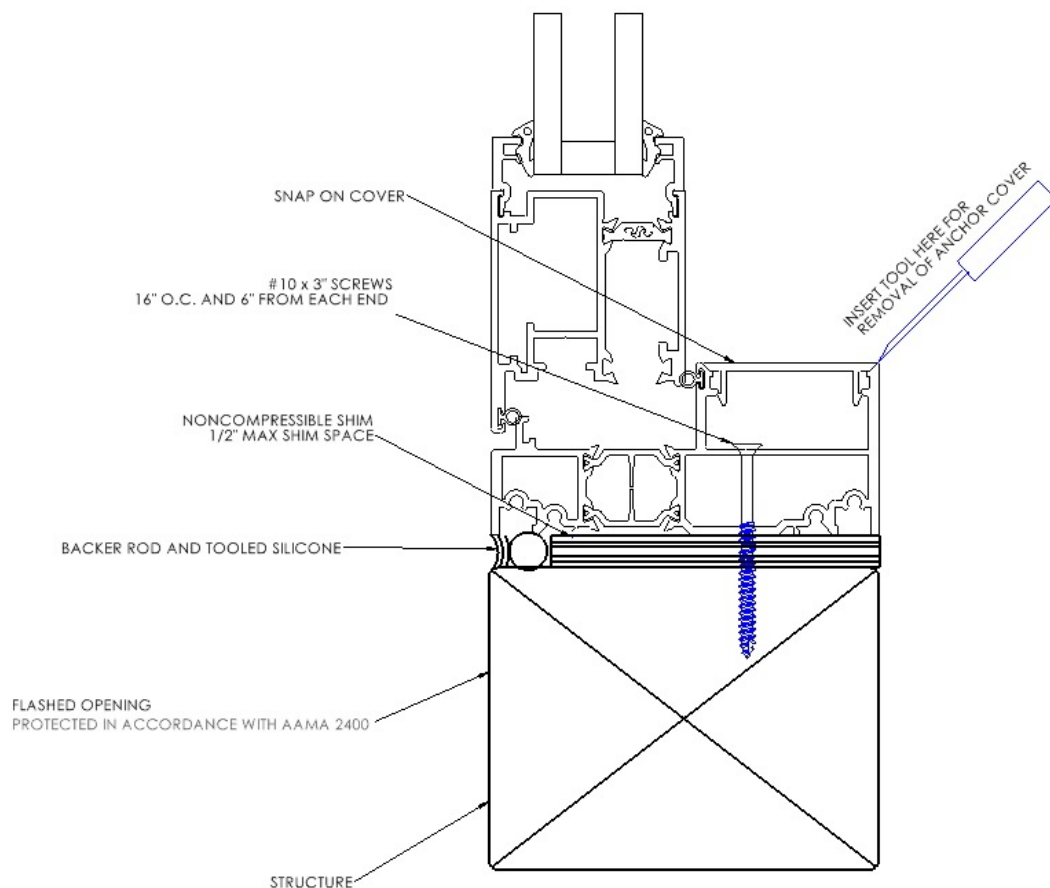


Figure 3

3. Lift unit into the opening and secure in place with shims as needed.
4. Continue to block the frame with shims as needed and verify that the door frame is plumb level and square in the opening.

5. Begin to secure the frame with #10 x 3" Ph Screws taking care not to shift the frame while anchoring.
6. Inspect the frame to ensure it is plumb, level and square and trim excess material off shims used.
7. Ensure the door leaf is not racked or crooked, operates smoothly and locks with little effort. Individual locking points are adjustable by turning the adjustment screw. (See Figure 5).

Note: Glass is dry glazed and hard blocked to square door leaf. Adjust hard blocking as necessary to provide for latch/lock function.

8. Apply appropriately sized closed cell backer-rod to fill the frame to the waterproofing gap. Ensure backer-rod is set to the correct depth to allow for a 2:3 depth to width ratio for proper perimeter caulking adhesion.
9. Apply sealant at the frame perimeter to the waterproofing gap and tool to ensure a continuous bead of sealant is applied and there are no holes or voids.
10. Installation is complete.



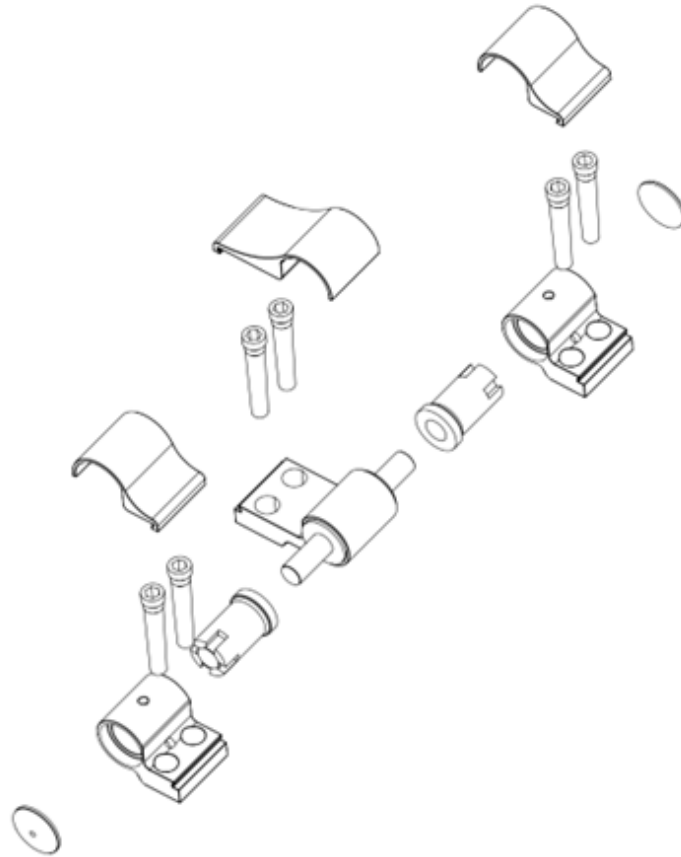
Pair Door Leaf Installation

- Pair Doors will always come attached to the frame whether it is a Piano Hinge or 3 knuckle hinge.
 - Product will be received in 3 parts: A frame, an active leaf, and an inactive leaf. The inactive leaf has head and shot bolts, and an applied center astrical with strikes for the active leaf to latch against.
1. Please consult frame installation instruction section please see nail-fin section 1-9 and or block frame section 1-10.
 2. Install inactive leaf using processed holes to line up.
 3. Insert screws in hinge and adjust as needed (see hinge adjustments).
 4. Once adjustment is completed, pop on middle hinge cover.
 5. On back of hinge there is a hole to screw the cover in place to prevent cover from being popped off).
 6. Round caps are popped on the bottom and top of the hinge.
 7. Once finished check for fit by opening and closing doors as needed.

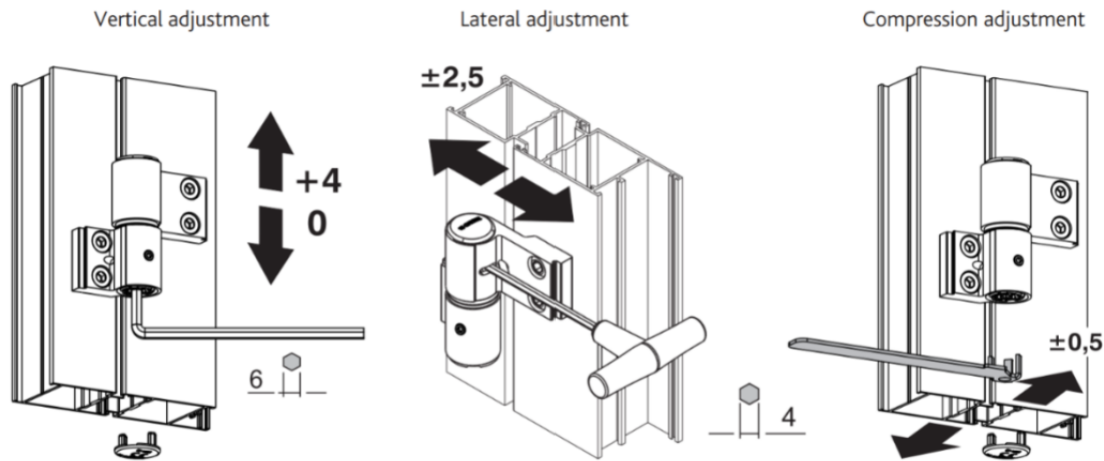
Racking Door:

- In the case that a leaf drop and is not in line with the second leaf, pair door needs to be blocked. (More info on blocking).
Please see figure 4 below

Figure 4



POST INSTALLATION ADJUSTMENTS



All dimensions are in mm and are nominal. Giesse reserves the right to change specification without notice. It is the responsibility of the manufacturer to ensure that the finished product meets any required safety and performance specification.

- **Adjusting Compression (in and out):** Pry bottom cap off and use castellated tool (A01240).
- **Adjusting Side to Side:** Allen fastener located in the middle back.
- **Adjusting Up and Down:** Pry top cap off and adjust using Allen key.

TESTING

No field testing or studies are permitted on Awake's products unless they are performed in strict compliance with the Fenestration and Glazing Industry Alliance (FGIA) Voluntary Specification for Field Testing of Newly Installed Fenestration Products, AAMA 502 and strictly comply with Awake's Testing Requirements and Conditions, available at www.awakewdc.com/install-instructions). Failure to strict comply with the foregoing testing requirements will void Awake's 10-Year Limited Warranty.



GET IN TOUCH

**435 E GERMANN RD SUITE 104
GILBERT, AZ 85297**

www.awakewdc.com
(833) 292-5393