

OPERABLE WINDOW

SERIES 105

INSTALLATION INSTRUCTIONS



awake

WINDOW & DOOR CO.



105 SERIES NAME

Is prison really the right solution for a drug problem?

Our operable window products are named the 105 Series to draw attention to the fact that 1 in 5 people currently in prison are locked up for a non-violent drug offense. Sadly, many of these individuals are incarcerated for marijuana use, which is now legal in (15) states (and counting). While many need rehab or modern lawmaking, the reality is hundreds of thousands of people are locked up every day in the USA for non-violent drug use. When they leave prison, their criminal record makes it difficult to gain meaningful employment. With your help, we can change that reality for some.



OPERABLE WINDOWS

Series 105 Operable Windows (casement & awning) are custom manufactured specific for each application. It is important that you carefully review and understand the installation instructions and any drawings supplied for your project prior to installation of any products. Disregard or failure to follow these written instructions may result in deficient performance of your newly installed product including, but not limited to waterproofing failure, improper operation, and security issues and may void Awake Window & Door Company's limited warranties. Window products manufactured by Awake Window & Door Company should only be installed by experienced and qualified installation professionals.



STORAGE AND HANDLING

Upon delivery of your Awake Window and Door Company products, confirm that there is no damage that will affect the appearance or performance of the installed product. Inspect the product and hardware components to become familiar with them. Damaged and/or missing parts should be reported to your supplier immediately.

The products must be protected before, during and after installation to prevent damage to the frame finish, hardware and or glass. Awake Window and Door manufactured products are to be kept in manufacturers packaging and stored in a dry location protected from the elements until ready for installation. If packaging becomes wet, remove, and immediately replace with dry packaging or covering if possible.

When handling window products, they should be transported and stored vertically on a flat even surface. Finished product shall not be dragged off any delivery truck or dropped on floor during storage. Products should only be lifted/moved with glass cups attached directly to the glass and should not be lifted or dragged by the frame, which can damage the product.

PREPARATION

Always dispose or recycle any removed window materials properly. For more information, check with your local recycling agency, the U.S. Environmental Protection Agency ("EPA"), or Build Reuse to locate a nearby company or organization that accepts used windows and doors.

CAUTION: Many homes built before 1978 may have been painted with lead-based paint. Removal of old windows may disturb this paint. Proper precautions must be taken to minimize exposure to dust and debris. Consult state or local authorities and/or the EPA for more information.

Verify that the window is manufactured the correct size, configuration and correct unit numbers were produced. Inspect and verify the rough opening for the product which you are installing is plumb, level, and approximately 1/2" bigger in width and height than the net frame size.

If your installation requires that units be mulled together, see mull installation instructions below.

You May Need to Supply:

- Moisture resistant shims/spacers.
- Flashing membrane and compatible sealant.
- Fasteners
 - #10 x 2" PH Flat Head screws (install application)
- Closed cell foam backer rod/sealant backer

Tools Required for Installation:

- Tape Measure
- Pry bar
- Levels of assorted sizes
- 5 in 1 Putty knife
- Laser level (if needed)
- Dead-blow rubber mallet
- Utility Knife
- Quick Clamps
- Sealant Gun
- Suction Glass Cups
- Screw gun with
 - #2 Phillips Driver bit
 - #2 Square Drive
- Drill with
 - 3/16" drill bit
 - #10 Countersink bit

Note: Other construction materials may be required. Read and understand the instructions and inspect the wall conditions before you begin.

WEATHERPROOFING

Rough openings must be protected with waterproofing in accordance with AAMA 2400 Installation Methods using the flashing and sealant manufacturer instructions and must meet local building codes.

NAIL FIN INSTALLATION

1. Apply a 1/2" continuous bead of sealant to the interior face of nail-fin full perimeter.
2. Set window into the flashed opening ensuring that the nail-fin makes full contact with the opening.
3. Check that the unit is plum, level and square in the opening and shim as needed.
4. Anchor the window nail-fin to the structure with #10 x 2" screws every 12" on center, 4" from each end max. (See Figure 1).

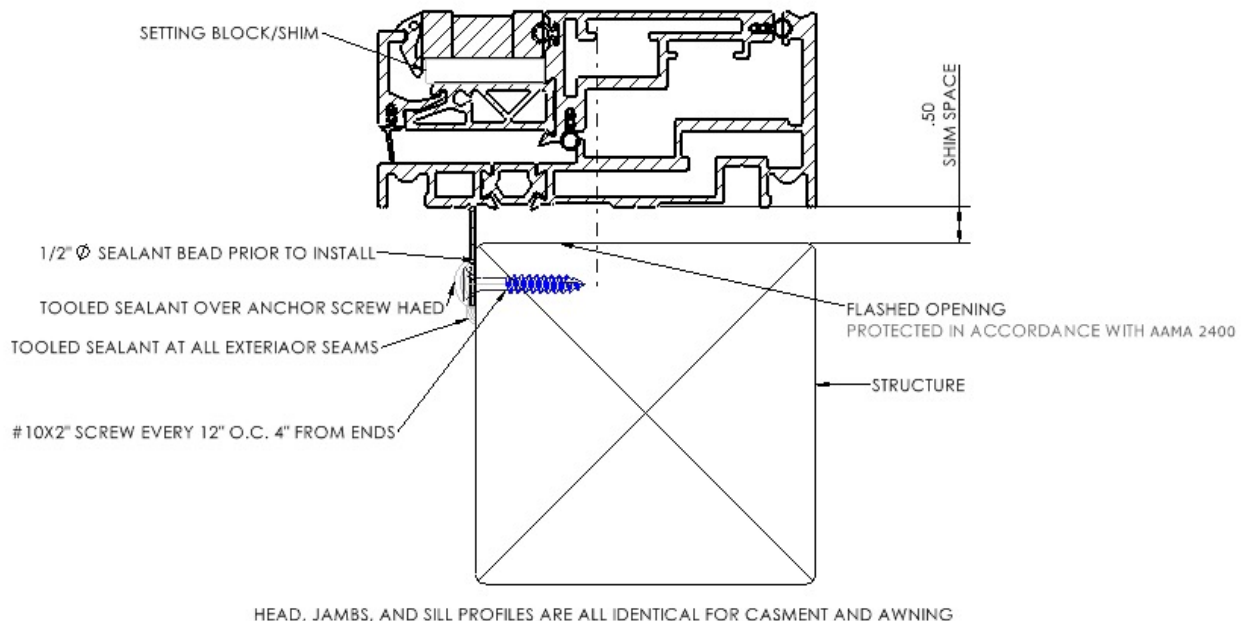


Figure 1

5. Inspect frame for final plumb, level and square. Ensure the window is not racked, operates smoothly and locks with little effort.
6. Ensure that all nail-fin joints are sealed as well as the head of every screw that penetrated the nail-fin.
7. Apply approved flashing membrane in accordance with sheathing or house wrap manufacturer's specifications. First, apply membrane to both side nail-fins. Extend flashing beyond sill flashing and above the top of nail-fin. Next, apply flashing along top nail-fin. Extend top flashing beyond each side flashing by minimum of 2".
8. Installation is complete



BLOCK FRAME INSTALLATION

1. If installing a standalone unit, proceed with Step 3 of the Block Frame Instructions.
2. If you are installing a mullied unit, proceed to mulling instructions below.
3. Unlock and open the vent sash to its max opening position. Through each jamb and head of the frame, drill a 3/16" dia. installation hole 6" from each end and every 16" on center thereafter. (See Figure 2).

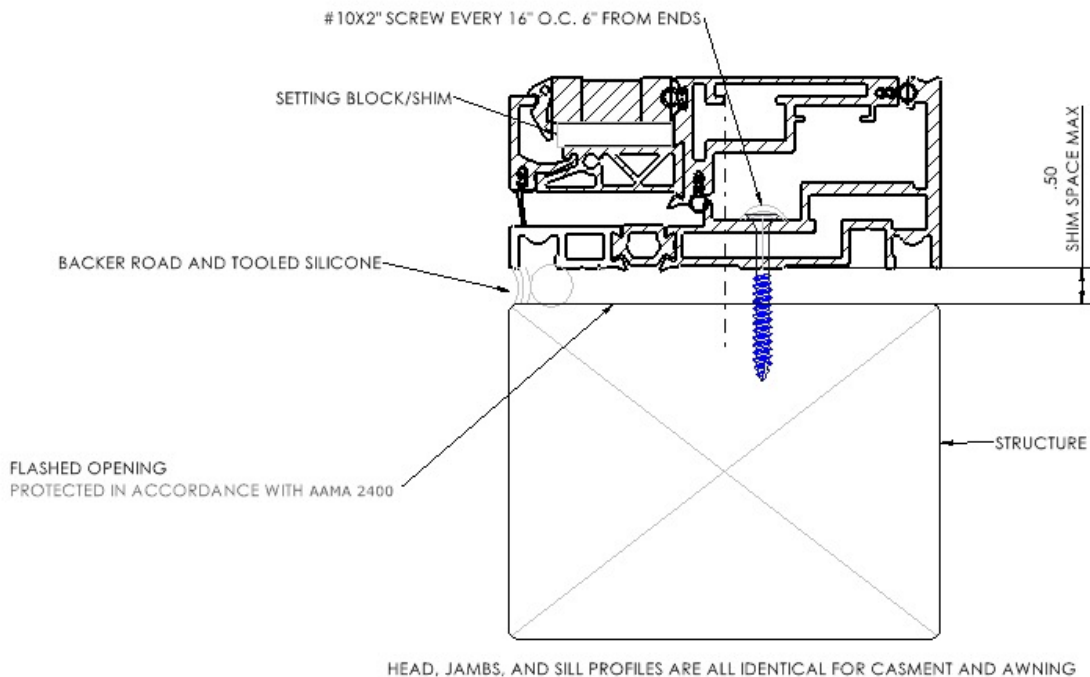


Figure 2

4. Countersink the installation holes to accommodate a #10 Flat Head screw.
5. Close and lock the vent sash, lift unit into the opening and secure in place with shims as needed.
6. Continue to block the frame with shims as needed and verify the window is plumb level and square in the opening. If needed, Hard shim to secure the window in place for final anchoring with screws.
7. Unlock and open the vent sash and pump sealant into the installation holes through the frame.
8. Begin to secure the frame with #10 x 2" Ph Flat Head screws taking care not to shift the frame while anchoring.
9. Inspect frame for final plumb, level and square and trim excess material off shims used.
10. Apply appropriately sized closed cell backer-rod to fill window to framing gap. Ensure backer-rod is set to correct depth to allow for a 2/3 depth to width ratio for proper perimeter caulking adhesion.
11. Apply sealant at frame perimeter to waterproofing gap and tool to ensure no voids and continuous bead of sealant is applied.
12. As one final check, open and close the vent sash to verify proper operation and function of locking mechanism.
13. Installation is complete

MULL INSTALLATION

Follow these instructions to install two or more windows requiring to be field mulled.

Things To Know Before You Start:

- Drip caps must be used at the head for all vertical mulled units using a nail-fin.
- Make sure to order your drip caps for all your mulled window units. (These ship loose)
- Mull clips will come pre-installed to one side of the mulled unit, take care to not damage these clips prior or during installation.
- Prior to mulling ensure all mechanical fasteners are not protruding, if some are still proud carefully file fastener head till flush. This will help ensure a even reveal when mulled correctly.
- Once the mulling process is complete and the structural sealant has cured reversing this process is difficult.

Nail-fin Mull Application Instructions

1. Apply a 1/4" diameter bead of Dow 795 sealant or equivalent sealant in each mull clip groove. (See Figure 3).

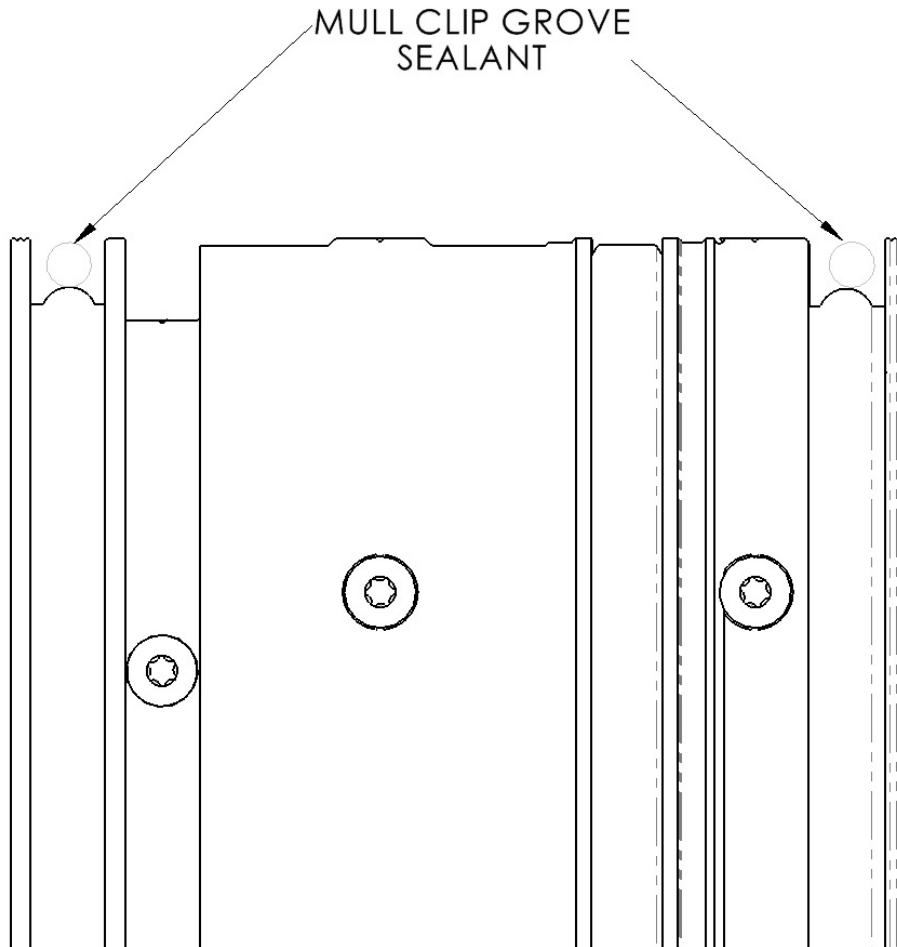


Figure 3

2. Begin to join the two (2) window units together until the frame members come into contact and the mull clip is no longer visible.
3. Verify that the reveal is even from top to bottom. If necessary, use quick clamps with tips protected, and squeeze the units together for an even reveal.
4. With the two windows now mullled and, in the opening, shim the frame jambs at the head and sill interface to push and hold the two (2) units together. Note: Take care to not over shim causing the horizontal members to buckle or bow causing an uneven reveal on the window.

5. Seal and fill the seam at the vertical mull on the exterior face of nail-fin. Tool and smooth out the sealant ensuring the joint is free of voids.
6. Apply a 1/2" continuous bead of sealant across the nail-fin from edge of frame opposite edge.
7. Place drip cap onto the face of the nail-fin and secure to structure with #10 x 2" screws every 12" on center. To avoid any damage or distortion, do not anchor the nail-fin within 3" from any corner.
8. Seal the ends of the drip cap to frame joint to avoid water intrusion at each end.
9. Proceed with final waterproofing membrane applied over the drip cap and nail-fin.
10. The installation of the mull windows is complete.

Block Frame Mull Application Instructions

1. Unlock and open the vent sash to its max opening position. Through each jamb and head of the frame, drill a 3/16" dia. installation hole 6" from each end and every 16" on center thereafter.
2. Countersink the installation holes to accommodate a #10 Flat Head screw.
3. Fill the female mull pocket with 100% silicone.
4. Begin to join the two (2) window units together until the frame members come into contact and the mull bar is no longer visible.
5. Verify that the reveal is even from top to bottom. If necessary, use quick clamps with tips protected, and squeeze the units together for an even reveal.
6. With the two windows now mull and, in the opening, shim the frame jambs at the head and sill interface to push and hold the two (2) units together. Note: Take care to not over shim causing the horizontal members to buckle or bow causing an uneven reveal on the window.
7. Continue to block the frame with shims as needed and verify the window is plumb level and square in the opening. If needed, Hard shim to secure the window in place for final anchoring with screws.
8. Unlock and open the vent sash and pump sealant into the installation holes through the frame.
9. Begin to secure the frame with #10 x 2" Ph Flat Head screws taking care not to shift the frame while anchoring.
10. Inspect frame for final plumb, level and square and trim excess material off shims used.

11. Apply appropriately sized closed cell backer-rod to fill window to framing gap. Ensure backer-rod is set to correct depth to allow for a 2/3 depth to width ratio for proper perimeter caulking adhesion.
12. Apply sealant at frame perimeter to waterproofing gap and tool to ensure no voids and continuous bead of sealant is applied.
13. As one final check, open and close the vent sash to verify proper operation and function of locking mechanism.
14. Installation is complete.



GET IN TOUCH

**435 E GERMANN RD SUITE 104
GILBERT, AZ 85297**

www.awakewdc.com

(833) 292-5393